

PTI-MEM1060

输出约60 升/分钟  
ATEX

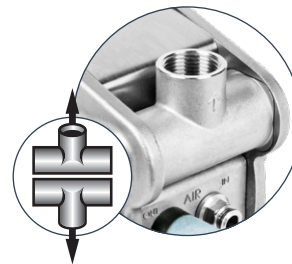
(进一步信息请参见操作手册)



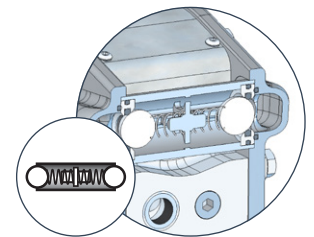
铝  
(AL)



[www.timmer-pumps.com/en/double\\_diaphragm\\_pumps\\_1to1](http://www.timmer-pumps.com/en/double_diaphragm_pumps_1to1)





INLINE- 型  
MEM1060L



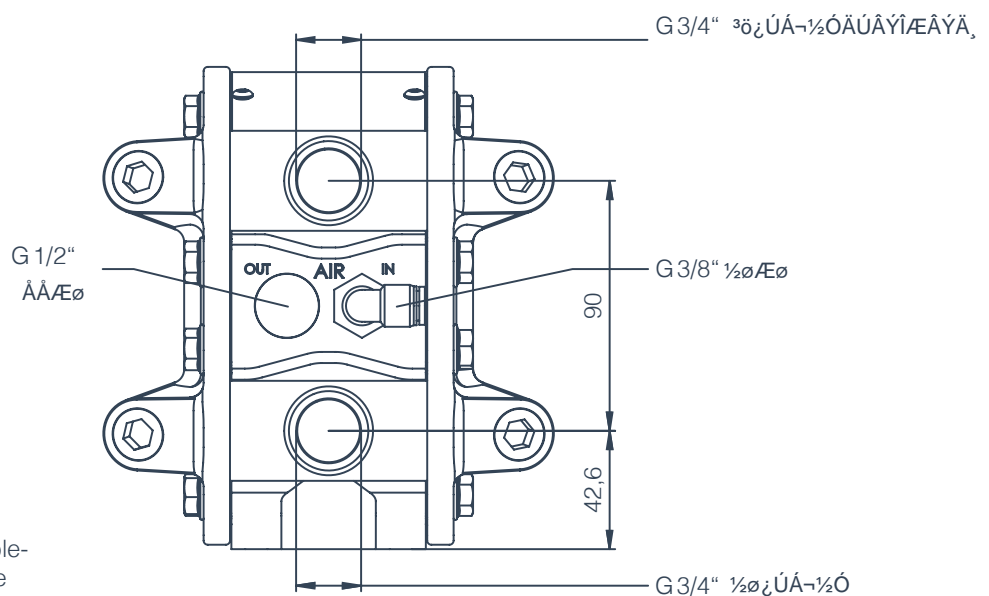
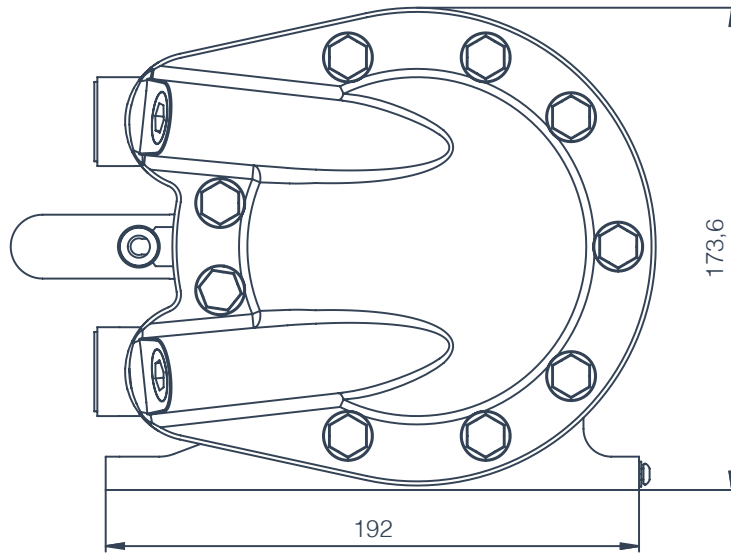
弹簧承载  
阀球

ΒΠΕ - Ε«<sub>δ</sub>Ä±ÄPTI-MEM1060

Π« <sub>δ</sub> Ä	Δ <sup>ο</sup> Ä	ÎüËë'Ü·½ìò	Ñ'Ä!Ü·½ìò	²ÄÄĪ	ATEX
53507330	PTI-MEM1060-AL-TF-POM-VA-EPDM-AL -CN	 İòÇ°	İòÇ°	ÄÄ	✓
53507460	PTI-MEM1060I-AL-TF-POM-VA-EPDM-AL	  İöĪÄ	İöĪĪ	ÄÄ	✓



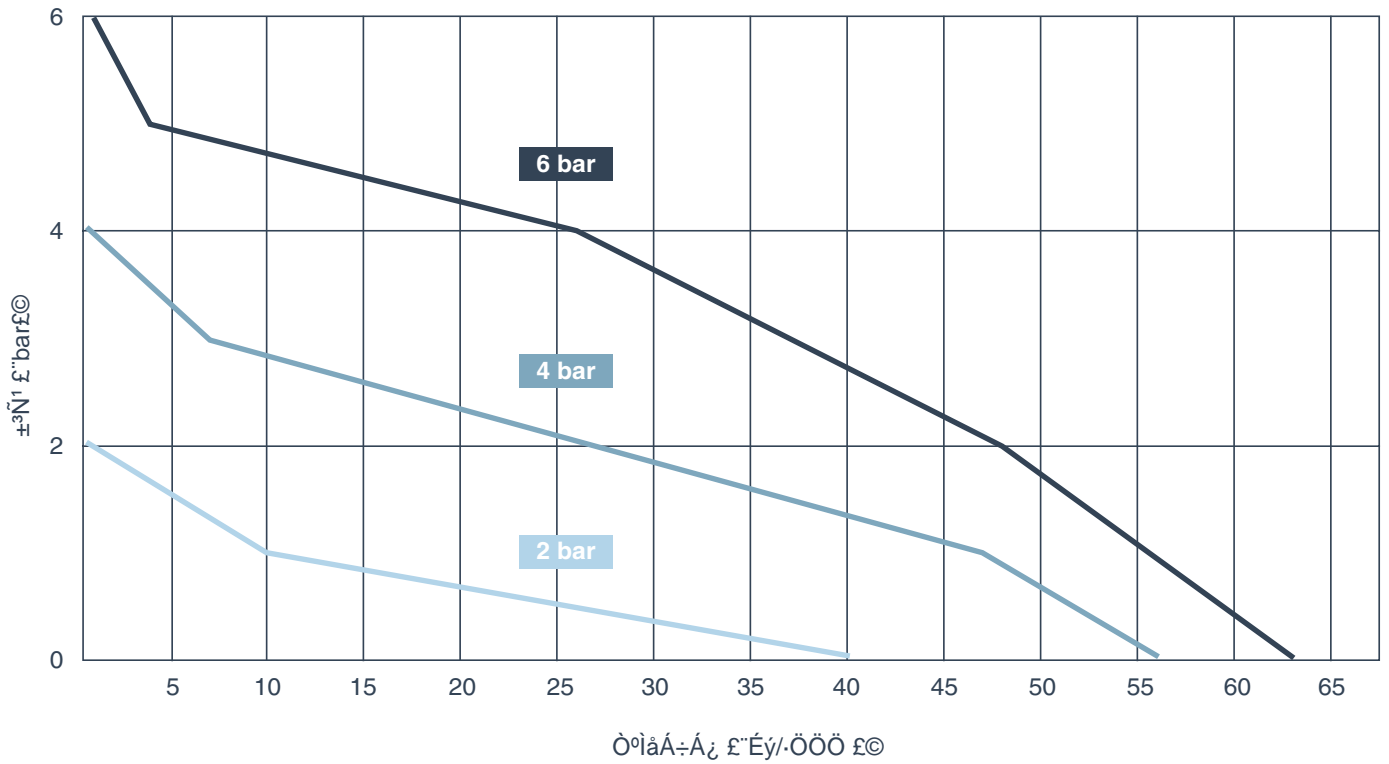
ζÉÑιμç'Ä'«<sub>δ</sub>Ä±Ä  
ËμĪÖÐðì¼ÇËý



[www.timmer-pumps.com/en/double-diaphragm-pumps-1to1-service](http://www.timmer-pumps.com/en/double-diaphragm-pumps-1to1-service)



ÒìáÁ÷Á¿



ìØµä

- 1ý³¿É¿¿  
s Ä±Ä÷ü» »¼òµ¥
- ¼ÄÍ»¼ÑÐÔÄ±Ä-É"É¹ÓÄÈÜÄü³±£©  
s Ä±Ä-ÍêÈ«Çáí'ÄÜÁ;  
s üÖ×Çáí'  
s Ð¿ÇÉ½ð'ÔµÄ½á¹¹Éè¼Ä  
s Í¹ýµ·§ÈµíÖ¿É¿¿Äø¶  
s ÍÐÄ±ÈðÄø¶íÖ'É·§É¹ý³¿É¿¿£©  
s µíí→»±  
s ½ð³ö¿Ü½Ó½Ó' ¿ÉÐý×ª  
s ¿ÉÖÖ¿Ö'ò

Òìá

¼Ä±ÄÈÈÓÄÓÚ'«Èä\_÷ÄàÒìá£¹½éÖÈ £©¿£  
²ÄÖÈµÄÄÍÈÜÐÐèÒª»ùÓÚ\_ö°\_½ðÐ¼¿²â¿£  
Öø¶ÔÄµÄìø¶"É¹ÓÄ³\_¶íÖÄÇ°ÜÄÖÒà\_ðÄùlá¹©ìá¹Ø½"Òé¿£